



Bid Notice Abstract

Invitation to Bid (ITB)

Reference Number 12139447
Procuring Entity MUNICIPALITY OF BURGOS LA UNION
Title RENOVATION OF HANGING BRIDGE AT BARANGAY CAOAYAN
Area of Delivery La Union

| | | | |
|--|--|------------------------------|---------------------|
| Solicitation Number: | 2025-BLU-MDRRMF-01 | Status | Pending |
| Trade Agreement: | Implementing Rules and Regulations | Associated Components | 1 |
| Procurement Mode: | Public Bidding | Bid Supplements | 0 |
| Classification: | Civil Works | Document Request List | 0 |
| Category: | Construction Projects | Date Published | 18/06/2025 |
| Approved Budget for the Contract: | PHP 500,000.00 | Last Updated / Time | 17/06/2025 16:58 PM |
| Delivery Period: | 60 Day/s | Closing Date / Time | 25/06/2025 10:00 AM |
| Client Agency: | | | |
| Contact Person: | FERDINAND G. RAMOS BAC CHAIRMAN New Poblacion Burgos La Union Philippines 2510 63-920-9136809 ferdinand.g.ramos@gmail.com | | |

Description

LOCATION: CAOAYAN, BURGOS, LA UNION

SCOPE OF WORKS: RELOCATION OF PIER AND ANCHOR, REPLACEMENT OF ROTTEN JOISTS, HANGERS AND RESTORATION OF CABLES

BIDDING SCHEDULE:
OPENING OF BIDS: JULY 10, 2025 AT 10:00AM
BID EVALUATION: JULY 11, 2025 AT 10:00AM

REMINDERS TO BIDDERS:
BIDS MUST BE DULY RECEIVED BY THE BAC SECRETARIAT THROUGH MANUAL SUBMISSION ON OR BEFORE JULY 10, 2025 ON OR BEFORE 10:00AM. LATE BIDS SHALL NOT BE ACCEPTED.

BIDDERS' REPRESENTATIVE SHOULD HAVE SPECIAL POWER OF ATTORNEY (SPA) DULY SIGNED BY THE OWNER OF THE CONSTRUCTION FIRM/COMPANY INDICATING THE SPECIFIC DETAILS OF REPRESENTATION.

FOR FURTHER INFORMATION YOU MAY VISIT THE LGU WEBSITE AT WWW.BURGOSLAUNION.GOV.PH OR EMAIL US AT bacsecblu@gmail.com

Created by FERDINAND G. RAMOS

Date Created 17/06/2025

The PhilGEPS team is not responsible for any typographical errors or misinformation presented in the system. PhilGEPS only displays information provided for by its clients, and any queries regarding the postings should be directed to the contact person/s of the concerned party.



Republic of the Philippines
Province of La Union
MUNICIPALITY OF BURGOS
BIDS AND AWARDS COMMITTEE

INVITATION TO BID FOR
RENOVATION OF HANGING BRIDGE AT BARANGAY CAOAYAN

1. The Municipality of Burgos, La Union, through the **MDRRMF 2025** intends to apply the sum of **Php 500,000.00** being the Approved Budget for the Contract (ABC) to payments under the contract for :

| Item Description | Approved Budget for the Contract (ABC) and Source of Funding | Project Identification Number | Pre-bid Conference | Deadline for Submission/ Opening of bids | Price of bid Documents (non-refundable) |
|---|--|-------------------------------|------------------------------|--|---|
| RENOVATION OF HANGING BRIDGE AT BARANGAY CAOAYAN | 500,000.00 and MDRRMF 2025 | 2025-BLU-MDRRMF-01 | JUNE 26, 2025 AT 10:00 AM | JULY 10, 2025 AT 10:00 AM | Php 500.00 |

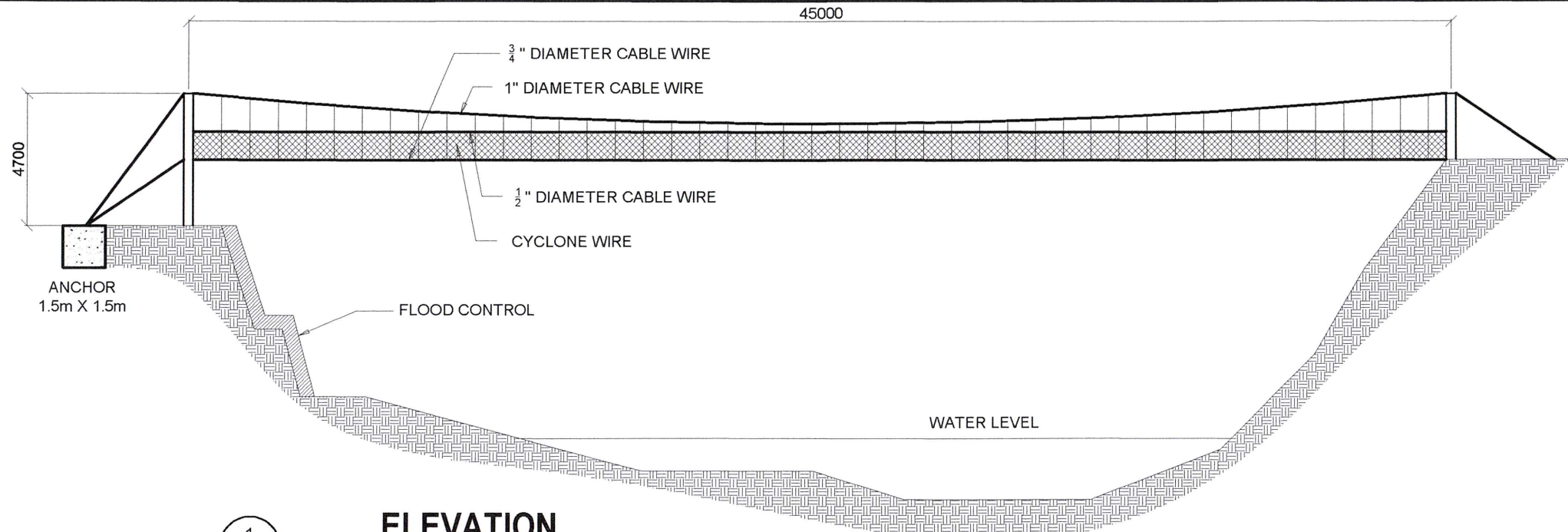
Bids received in excess of the ABC shall be automatically rejected at bid opening.

2. The Municipality of Burgos, La Union now invites bids for the above Procurement Project. Completion of the Works is required 60 calendar days. Bidders should have completed a contract similar to the Project. The description of an eligible bidder is contained in the Bidding Documents, particularly, in Section II (Instructions to Bidders).
3. Bidding will be conducted through open competitive bidding procedures using non-discretionary "*pass/fail*" criterion as specified in the 2016 revised Implementing Rules and Regulations (IRR) of Republic Act (RA) No. 9184.
4. Interested bidders may obtain further information from Municipality of Burgos, La Union and inspect the Bidding Documents at the address given below from Monday to Thursday only at 8:00 am to 5:00 pm.
5. A complete set of Bidding Documents may be acquired by interested bidders on **JUNE 26, 2025 to JULY 10, 2025 before 10:00 AM** from given address and website below upon payment of the applicable fee for the Bidding Documents, pursuant to the latest Guidelines issued by the GPPB, in the amount of **PHP 500.00**. The Procuring Entity shall allow the bidder to present its proof of payment for the fees in person.
6. The Municipality of Burgos, La Union will hold a Pre-Bid Conference¹ on **JUNE 26, 2025** at Municipal Conference Hall, Municipality of Burgos, La Union, which shall be open to prospective bidders.
7. Bids must be duly received by the BAC Secretariat through manual submission at the office address as indicated below on or before **JULY 10, 2025 on or before 10:00am**. Late bids shall not be accepted.

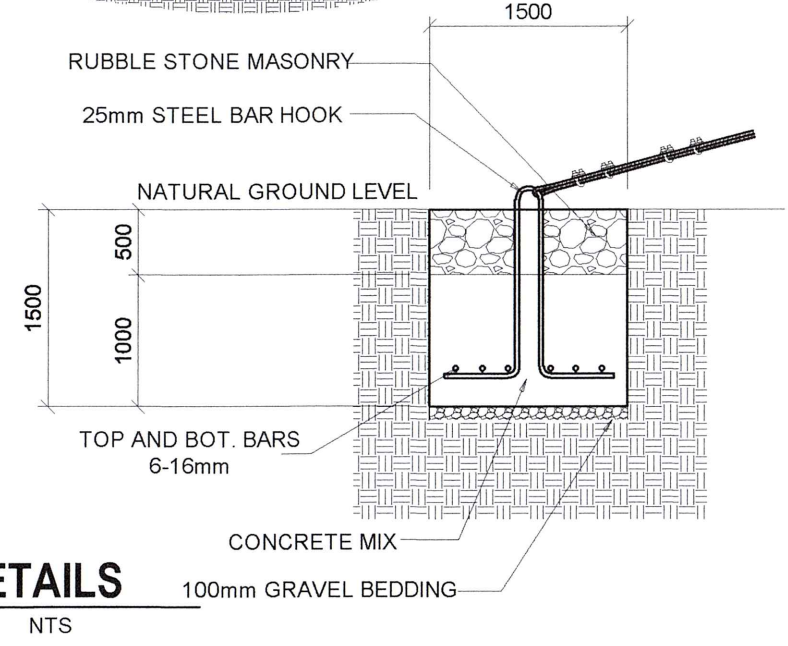
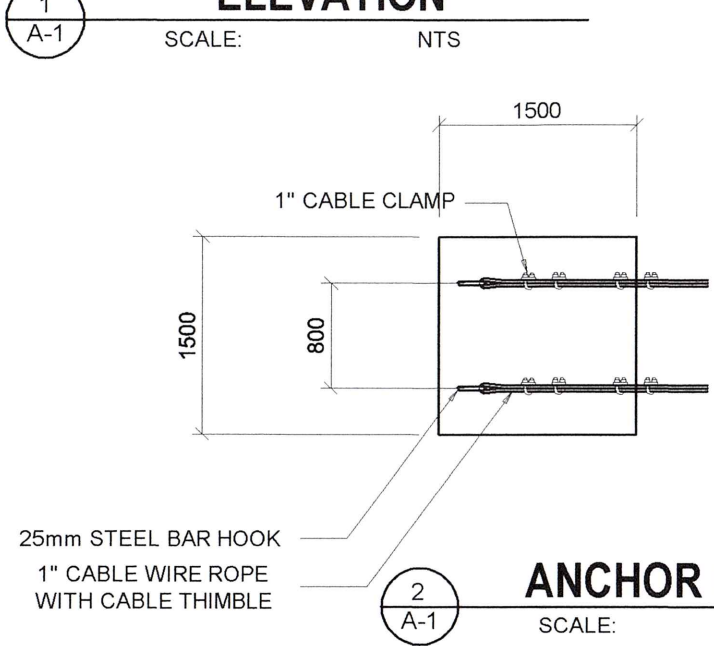
¹ May be deleted in case the ABC is less than One Million Pesos (PhP1,000,000) where the Procuring Entity may not hold a pre-bid conference.

8. All bids must be accompanied by a bid security in any of the acceptable forms and in the amount stated in **ITB** Clause 16.
9. Bid opening shall be on **JULY 10, 2025** at the given address below. Bids will be opened in the presence of the bidders' representatives who choose to attend the activity.
10. Bidders' Representative should have **Special Power of Attorney (SPA)** duly signed by the owner of the Construction Firm/Company indicating the specific details of representation.
11. Interested bidders can submit and request for eligibility checking from the BAC – TWG (For the schedule, refer to the BAC-TWG Head/Member)
12. The Procuring Entity of the Municipality of Burgos, La Union does not conduct online procurement. Interested bidders who will participate on the procurement stages of this municipality should come and attend personally on the different procurement stages that will be conducted by the Procuring Entity.
13. The Municipality of Burgos, La Union reserves the right to reject any and all bids, declare a failure of bidding, or not award the contract at any time prior to contract award in accordance with Sections 35.6 and 41 of the 2016 revised Implementing Rules and Regulations (IRR) of RA No. 9184, without thereby incurring any liability to the affected bidder or bidders.
14. You may visit the following websites:
For downloading of Bidding Documents: *burgoslaunion.gov.ph*
15. For further information, please refer to:
FERDINAND G. RAMOS
BAC Chairperson
Burgos Municipal Building
New Poblacion, Burgos, La Union 2510
CP No: 09095247107

You can also come and visit our office personally at this address:
2nd Floor Conference Hall
Municipal Building
New Poblacion, Burgos, La Union

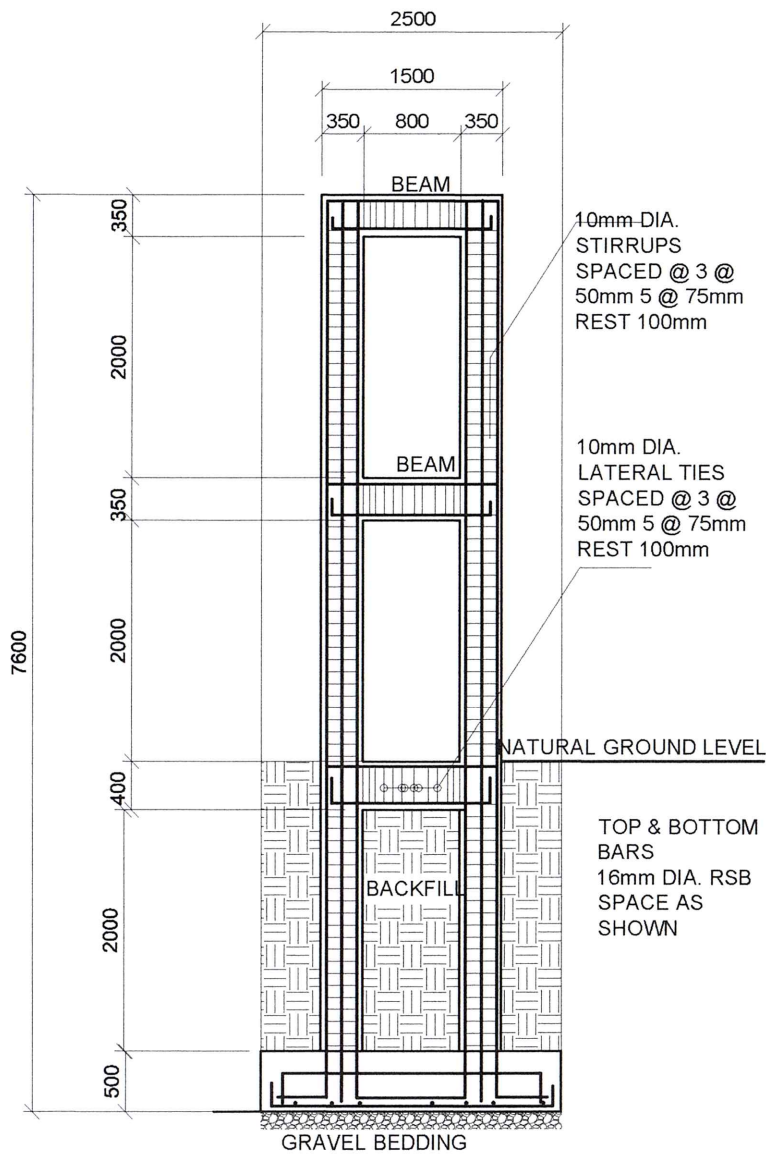


ELEVATION
 1
 A-1
 SCALE: NTS



ANCHOR DETAILS
 2
 A-1
 SCALE: NTS

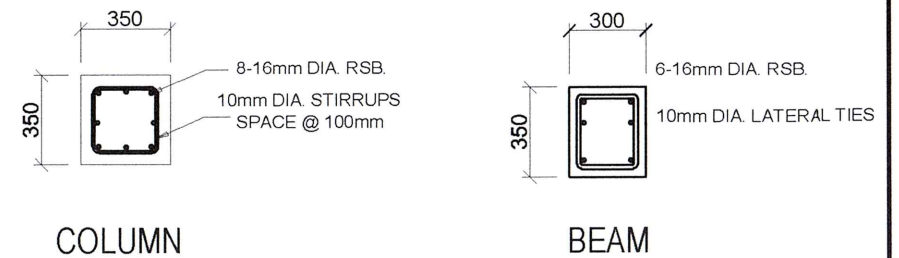
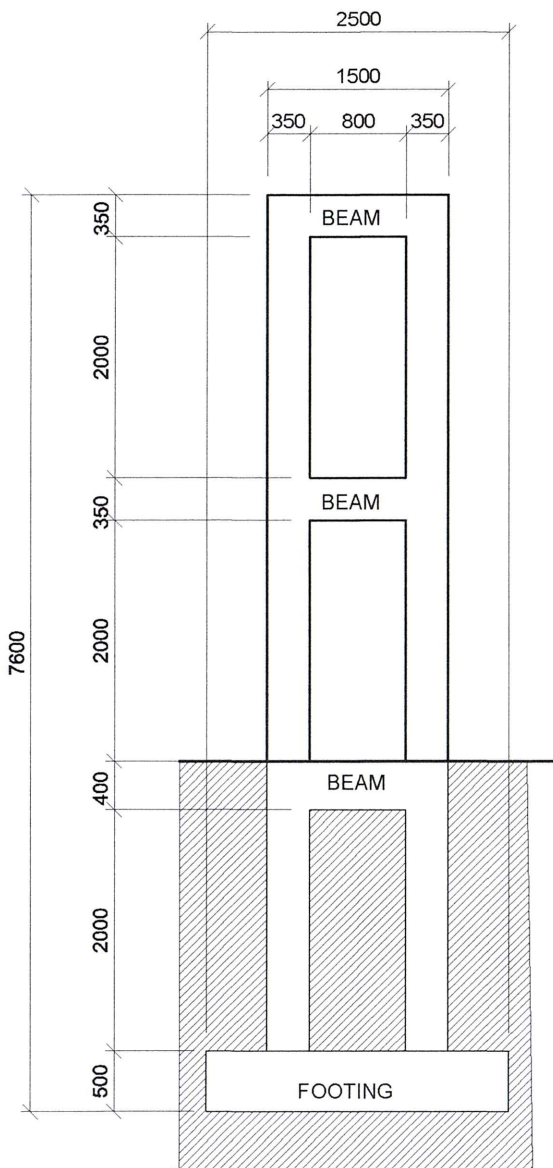
| | | | | | | |
|--|--|------------------|--------------------|-----------------------|---------------|------------|
| REPUBLIC OF THE PHILIPPINES PROVINCE OF LA UNION MUNICIPALITY OF BURGOS | PROJECT TITLE: | PREPARED BY: | CHECKED BY: | APPROVED BY: | SHEET CONTENT | SHEET NO. |
| | RENOVATION OF HANGING BRIDGE AT BARANGAY CAOAYAN | LEO N. BALCITA | FERDINAND G. RAMOS | DELFIN C. COMEDIS JR. | | |
| | LOCATION: CAOAYAN, BURGOS, LA UNION | ENGINEERING AIDE | MUNICIPAL ENGINEER | MUNICIPAL MAYOR | | |
| | | | | | AS SHOWN | A-1 1-3 |



1
A-2

PIER DETAILS

SCALE: NTS

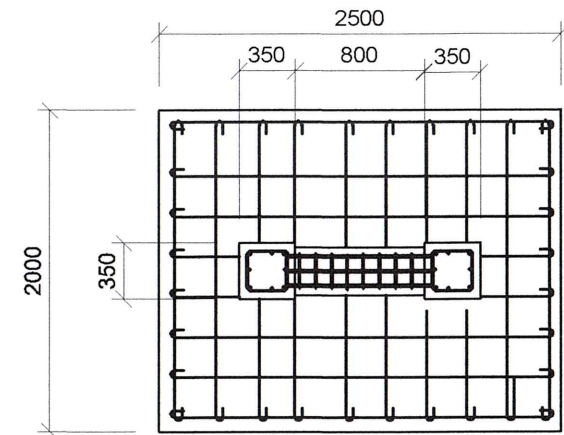


2
A-2

COLUMN AND BEAM

SCALE: NTS

16mm DIA. REINFORCING BARS TOP AND BOTTOM BARS



3
A-2

FOOTING DETAIL

SCALE: NTS

REPUBLIC OF THE PHILIPPINES
PROVINCE OF LA UNION
MUNICIPALITY OF BURGOS

PROJECT TITLE:
RENOVATION OF HANGING BRIDGE
BARANGAY CAOAYAN

LOCATION: CAOAYAN, BURGOS, LA UNION

PREPARED BY:
LEO N. BALCITA
ENGINEERING AIDE

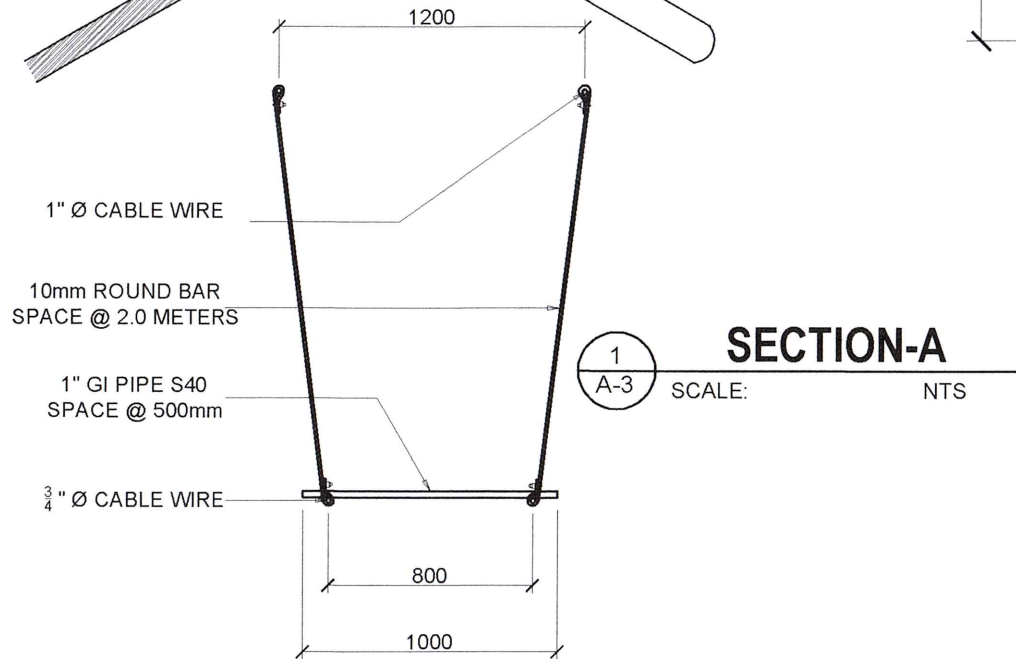
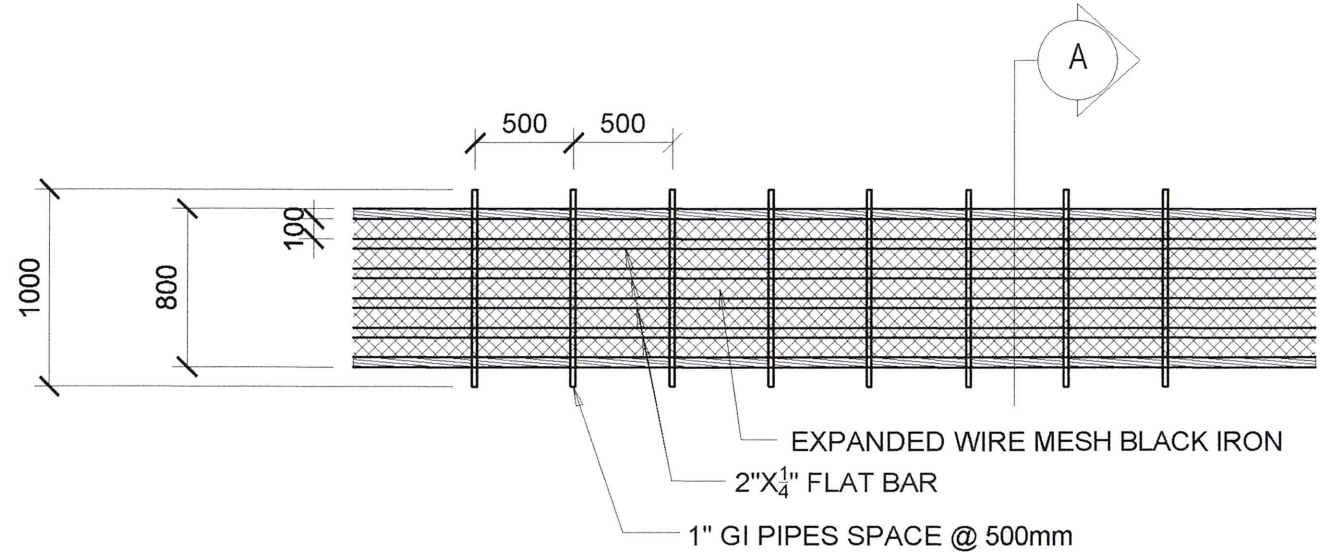
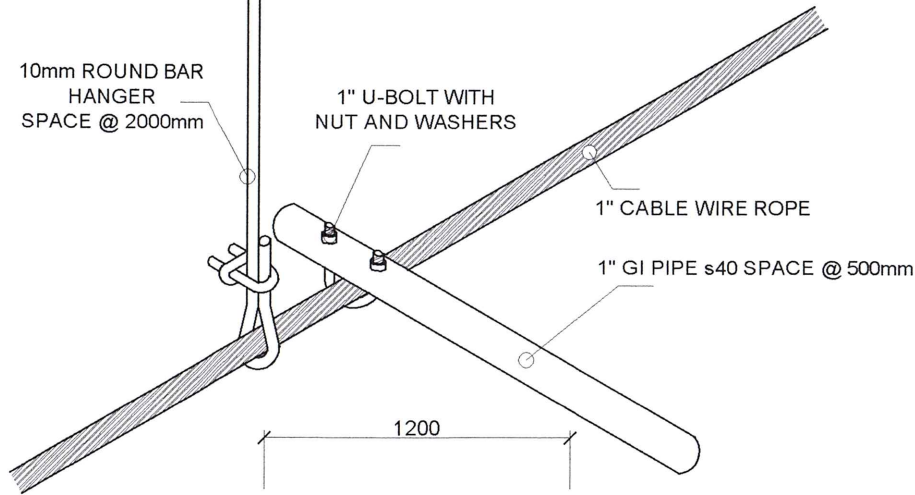
CHECKED BY:
FERDINAND G. RAMOS
MUNICIPAL ENGINEER

APPROVED BY:
DELFIN C. COMEDIS JR.
MUNICIPAL MAYOR

SHEET CONTNENT
AS SHOWN

SHEET NO.
A-2
2-3

NOTE: ALL PAINTED WITH GRAY PRIMER EPOXY



CARRIAGE WAY DETAIL

1 A-3 SCALE: NTS

| | | | | | | |
|--|--|-----------------------|---------------------------|------------------------------|---------------|------------|
| REPUBLIC OF THE PHILIPPINES PROVINCE OF LA UNION MUNICIPALITY OF BURGOS | PROJECT TITLE: | PREPARED BY: | CHECKED BY: | APPROVED BY: | SHEET CONTENT | SHEET NO. |
| | RENOVATION OF HANGING BRIDGE BARANGAY CAOAYAN | LEO N. BALCITA | FERDINAND G. RAMOS | DELFIN C. COMEDIS JR. | AS SHOWN | A-3 3-3 |
| | LOCATION: CAOAYAN, BURGOS, LA UNION | ENGINEERING AIDE | MUNICIPAL ENGINEER | MUNICIPAL MAYOR | | |

BILL OF QUANTITIES

| Name of Project : Renovation of hanging bridge at Barangay Caoayan | | | | | |
|---|----------------------------|------|----------|--------------------|----------------|
| Location : Caoayan, Burgos, La Union | | | | | |
| Item No. | Description | Unit | Quantity | Unit Price (Pesos) | Amount (Pesos) |
| 801(1) | Demolition | lot | 1 | | |
| 903(1) | Scaffolding and Staging | lot | 1 | | |
| 900 | Structural Concrete | lot | 1 | | |
| 1046 | Masonry works | sq.m | 5.72 | | |
| 408 | Steelworks | lot | 1 | | |
| 411(1) | Painting Works | lot | 1 | | |
| SPL1 | Safety and Health | lot | 1 | | |
| SPL2 | Other General Requirements | lot | 1 | | |
| TOTAL AMOUNT | | | | | - |
| Amount in Words: | | | | | |

Submitted By:

_____ Bidder/ Contractor

DATE: _____

Bidders Authorized Representative